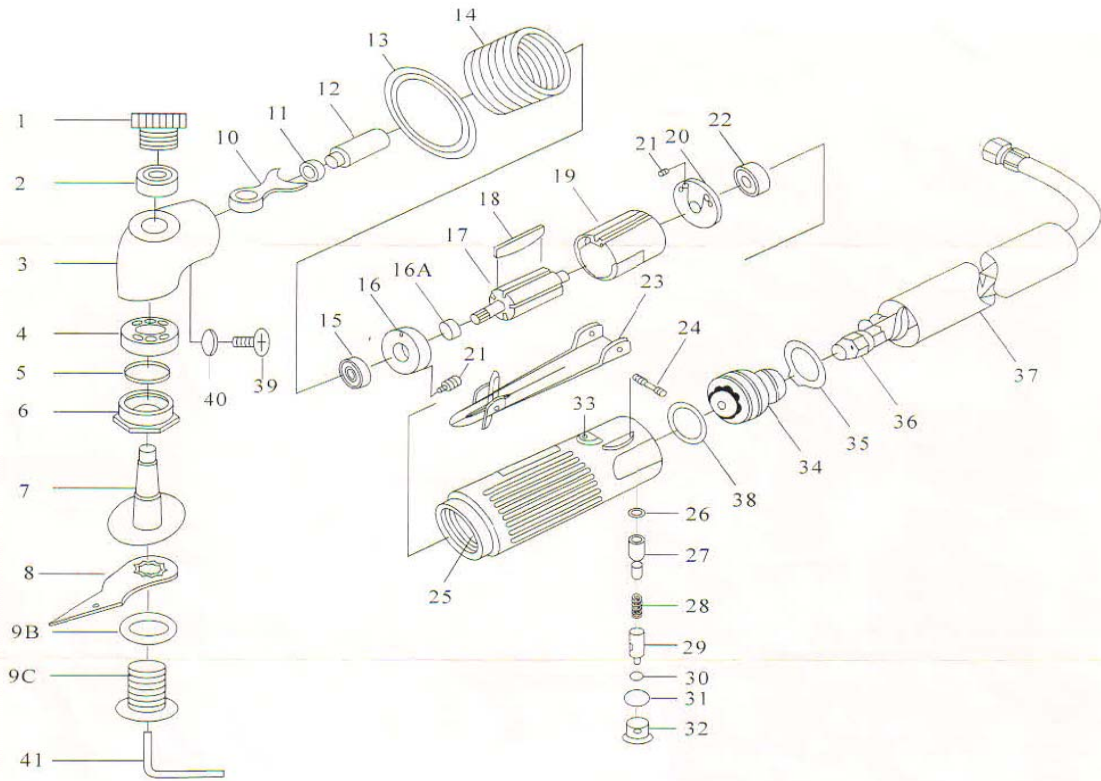




AIR KNIFE – RT 304

SPARE PARTS LIST



SI.NO	PART NO	DESCRIPTION	QTY	SI.NO	PART NO	DESCRIPTION	QTY
1	SRT 304-1	PLUG	1	22	SRT 304-22	BALL BEARING	1
2	SRT 304-2	BALL BEARING	1	23	SRT 304-23	THROTTLE LEVER	1
3	SRT 304-3	HEAD	1	24	SRT 304-24	LEVER PIN	1
4	SRT 304-4	BALL BEARING	1	25	SRT 304-25	HOUSING	1
5	SRT 304-5	SEAL OIL	1	26	SRT 304-26	O RING	1
6	SRT 304-6	NUT CLAMP	1	27	SRT 304-27	VALVE STEM	1
7	SRT 304-7	SPINDLE DRIVE	1	27A	SRT 304-27A	O RING	1
8	SRT 304-8	BLEDE 57MM	1	28	SRT 304-28	VALVE SPRING	1
9B	SRT 304-9B	RETAINER	1	29	SRT 304-29	AIR REGULATOR	1
9C	SRT 304-9C	SCREW	1	30	SRT 304-30	O RING	1
10	SRT 304-10	FORK DRIVE	1	31	SRT 304-31	O RING	1
11	SRT 304-11	BALL BEARING	1	32	SRT 304-32	THROTTLE VALVE PLUG	1
12	SRT 304-12	SHAFT CRANK	1	33	SRT 304-33	VALVE BUSHING	1
13	SRT 304-13	NUT CLAMP	1	34	SRT 304-34	THROTTLE ARTOR	1
14	SRT 304-14	RETAINER	1	35	SRT 304-35	STOP RING	1
15	SRT 304-15	BALL BEARING	1	36	SRT 304-36	AIR HOSE ASSY	1
16	SRT 304-16	FRONT PLATE	1	36A	SRT 304-36A	SPONGE	1
16A	SRT 304-16A	WASHER	1	37	SRT 304-37	EXHAUST HOSE	1
17	SRT 304-17	ROTOR	1	38	SRT 304-38	PACKING	1
18	SRT 304-18	ROTOR BLADE	4	39	SRT 304-39	SCREW	1
19	SRT 304-19	CYLINDER	1	40	SRT 304-40	O RING	1
20	SRT 304-20	END PLATE	1	41	SRT 304-41	HATTAGON WRENCH KEY	1
21	SRT 304-21	PIN	3				

