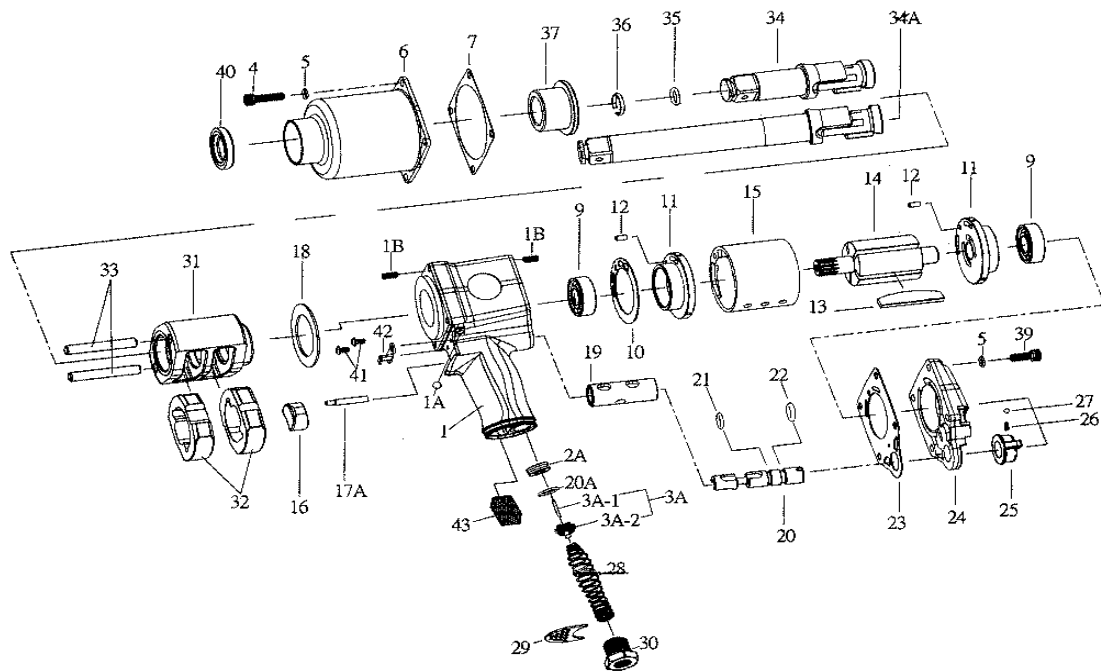




## RT 0754 - IMPACT WRENCH



SI.NO	PART NO	DESCRIPTION	QTY	SI.NO	PART NO	DESCRIPTION	QTY
1	SRT 0754-01	HOUSING ASSEMBLY	1	25	SRT 0754-21	O - RING	1
2	SRT 0754-01A	STEEL BALL	2	26	SRT 0754-22	O - RING	1
3	SRT 0754-01B	HELI-COIL	8	27	SRT 0754-23	GASKET	1
4	SRT 0754-02A	THROTTLE VALVE SEAT	1	28	SRT 0754-24	BACK HEAD	1
5	SRT 0754-03A	THROTTLE VALVE ASSEMBLY	1	29	SRT 0754-25	REVERSE VALVE KNOB	1
6	SRT 0754-03A1	THROTTLE VALVE PIN	1	30	SRT 0754-26	SPRING	1
7	SRT 0754-03A2	THROTTLE VALVE	1	31	SRT 0754-27	STEEL BALL	1
8	SRT 0754-04	SCREW ASSEMBLY	4	32	SRT 0754-28	SPRING	1
9	SRT 0754-05	SPRING WASHER	8	33	SRT 0754-29	EXHAUST DEFLECTOR	1
10	SRT 0754-06	HAMMER CASE	1	34	SRT 0754-30	AIR INLET	1
11	SRT 0754-07	GASKET	1	35	SRT 0754-31	HAMMER FRAME	1
12	SRT 0754-09	BALL BEARING	2	36	SRT 0754-32	HAMMER	2
13	SRT 0754-10	GASKET	1	37	SRT 0754-33	HAMMER PIN	2
14	SRT 0754-11	END PLATE	2	38	SRT 0754-34	STANDARD ANVIL	1
15	SRT 0754-12	SPRING PIN	2	39	SRT 0754-34 A	6" EXTENDED ANVIL	1
16	SRT 0754-13	ROTOR BLADE	5	40	SRT 0754-35	O - RING	1
17	SRT 0754-14	ROTOR	1	41	SRT 0754-36	SOCKET RETAINER	1
18	SRT 0754-15	CYLINDER	1	42	SRT 0754-37	BUSHING	1
19	SRT 0754-16	TRIGGER ASSEMBLY	1	43	SRT 0754-39	SCREW ASSEMBLY	4
20	SRT 0754-17A	TRIGGER PIN	1	44	SRT 0754-40	OIL SEAL	1
21	SRT 0754-18	WASHER	1	45	SRT 0754-41	SCREW	2
22	SRT 0754-19	REVERSE VALVE BUSHING	1	46	SRT 0754-42	TRIGGER RETAINER	1
23	SRT 0754-20	REVERSE VALVE	1	47	SRT 0754-43	MUFFLER ELEMENT	1
24	SRT 0754-20A	O - RING	1				

**RAMSIVE TOOLS PVT.LTD.**

S.F.No:412, Tex park Road, Nehru Nagar, SITRA, Coimbatore-641014.

Phone: 91-422-2905003 - Mobile: 9047023253.