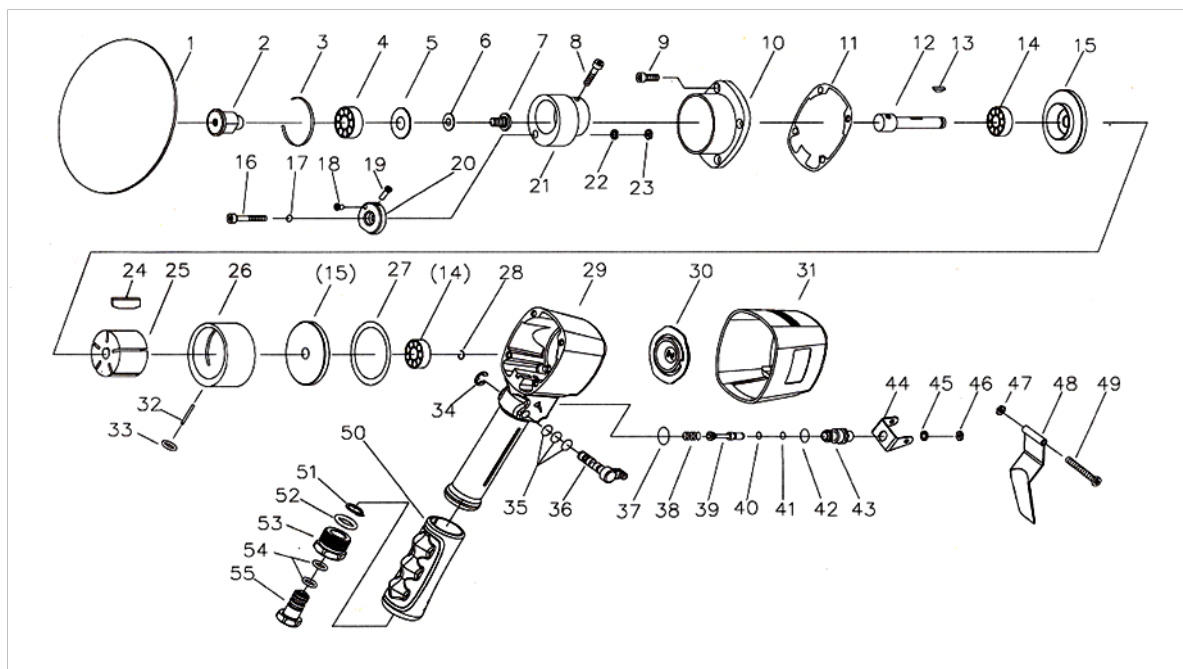




## RT 1205F – DUAL ACTION SANDER



SI.NO	PART NO	DESCRIPTION	QTY	SI.NO	PART NO	DESCRIPTION	QTY
1	SRT 1205F - 01	6" PAD	1	29	SRT 1205F - 29	HOUSING	1
2	SRT 1205F - 02	DRIVE SPINDLE	1	30	SRT 1205F - 30	TOP PAD OF HOUSING COVER	1
3	SRT 1205F - 03	RETAINING RING	1	31	SRT 1205F - 31	HOUSING COVER	1
4	SRT 1205F - 04	WASHER	1	32	SRT 1205F - 32	LOCATING PIN	1
5	SRT 1205F - 05	BALL BEARING	1	33	SRT 1205F - 33	O - RING	1
6	SRT 1205F - 06	SPRING WASHER	1	34	SRT 1205F - 34	RETIANING RING	1
7	SRT 1205F - 07	HEX NUT	1	35	SRT 1205F - 35	O - RING	3
8	SRT 1205F - 08	HEX NUT	1	36	SRT 1205F - 36	REGULATOR VALVE	1
9	SRT 1205F - 09	CAP SCREW	4	37	SRT 1205F - 37	O - RING	1
10	SRT 1205F - 10	DRIVE HOUSINHG	1	38	SRT 1205F - 38	SPRING	1
11	SRT 1205F - 11	GASKET	1	39	SRT 1205F - 39	VALVE STEM	1
12	SRT 1205F - 12	ROTOR SHAFT	1	40	SRT 1205F - 40	O - RING	1
13	SRT 1205F - 13	KEY	1	41	SRT 1205F - 41	O - RING	1
14	SRT 1205F - 14	BALL BEARING	2	42	SRT 1205F - 42	O - RING	1
15	SRT 1205F - 15	END PLATE	2	43	SRT 1205F - 43	VALVE BODY	1
16	SRT 1205F - 16	SCREW	1	44	SRT 1205F - 44	BRACKET	1
17	SRT 1205F - 17	O - RING	1	45	SRT 1205F - 45	LOCK WASHER	1
18	SRT 1205F - 18	SCREW	1	46	SRT 1205F - 46	HEX NUT	1
19	SRT 1205F - 19	SCREW	1	47	SRT 1205F - 47	HEX NUT	1
20	SRT 1205F - 20	SPINDLE LOCK	1	48	SRT 1205F - 48	THROTTLE LEVER	1
21	SRT 1205F - 21	ORBIT HUB	1	49	SRT 1205F - 49	HINGE SCREW	1
22	SRT 1205F - 22	HEX NUT	1	50	SRT 1205F - 50	HOUSING GRIP	1
23	SRT 1205F - 23	SPRING WASHER	1	51	SRT 1205F - 51	INVERTED RETINING RING	1
24	SRT 1205F - 24	ROTOR BALDE	5	52	SRT 1205F - 52	O - RING	1
25	SRT 1205F - 25	ROTOR	1	53	SRT 1205F - 53	AIR INLET BASE	1
26	SRT 1205F - 26	CYLINDER	1	54	SRT 1205F - 54	O - RING	2
27	SRT 1205F - 27	GASKET	1	55	SRT 1205F - 55	AIR INLET	1
28	SRT 1205F - 28	RETAINING RING	1				

**RAMSIVE TOOLS PVT.LTD.**

S.F.No:412, Tex park Road, Nehru Nagar, SITRA, Coimbatore-641014.

Phone: 91-422-2905003 - Mobile: 9047023253.