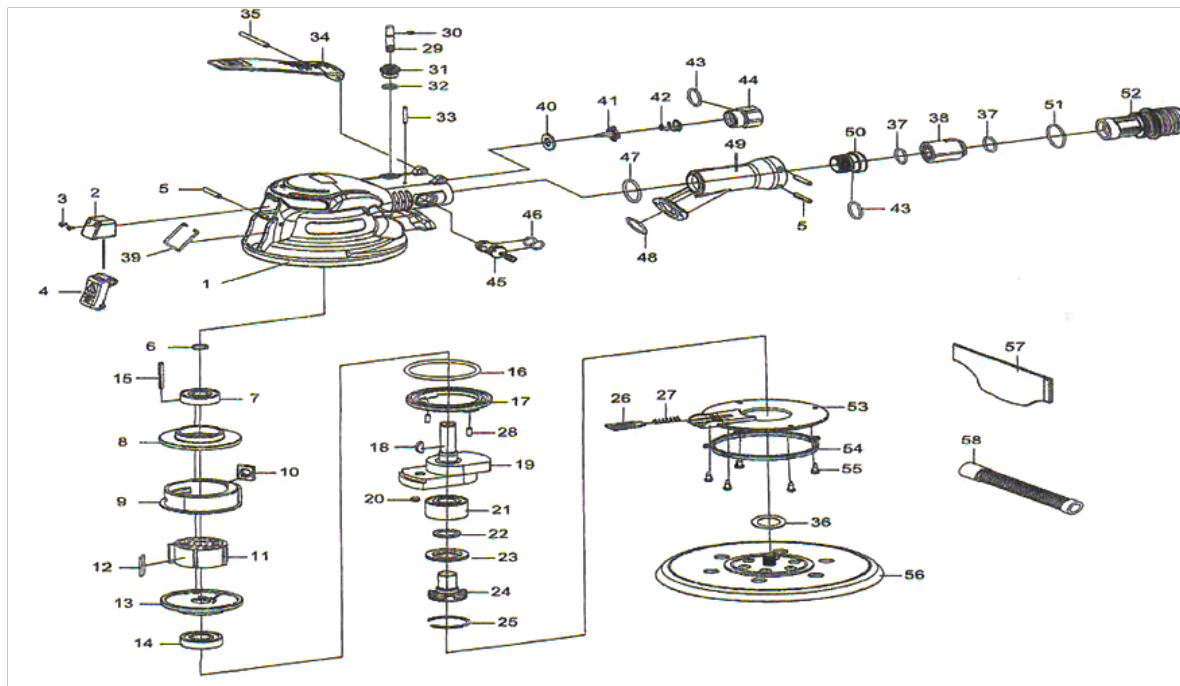




## RT 1387 AS5 – PALM SANDER



| SI.NO | PART NO        | DESCRIPTION          | QTY | SI.NO | PART NO        | DESCRIPTION                          | QTY |
|-------|----------------|----------------------|-----|-------|----------------|--------------------------------------|-----|
| 1     | SRT 1387AS5-01 | HOUSING ASSEMBLY     | 1   | 30    | SRT 1387AS5-30 | O - RING                             | 1   |
| 2     | SRT 1387AS5-02 | BLOCK                | 1   | 31    | SRT 1387AS5-31 | SHAFFT BUSHING                       | 1   |
| 3     | SRT 1387AS5-03 | SCREW                | 2   | 32    | SRT 1387AS5-32 | O - RING                             | 1   |
| 4     | SRT 1387AS5-04 | DISK RELEASE BUTTON  | 1   | 33    | SRT 1387AS5-33 | SPRING PIN                           | 1   |
| 5     | SRT 1387AS5-05 | THROTTLE LEVER PIN   | 3   | 34    | SRT 1387AS5-34 | THROTTLE LEVER                       | 1   |
| 6     | SRT 1387AS5-06 | RETAINER RING        | 1   | 35    | SRT 1387AS5-35 | SPRING PIN                           | 1   |
| 7     | SRT 1387AS5-07 | BALL BEARING         | 1   | 36    | SRT 1387AS5-36 | WASHER                               | 1   |
| 8     | SRT 1387AS5-08 | CYLINDER UPPER COVER | 1   | 37    | SRT 1387AS5-37 | O - RING                             | 2   |
| 9     | SRT 1387AS5-09 | CYLINDER             | 1   | 38    | SRT 1387AS5-38 | SIPHON SHUNT                         | 1   |
| 10    | SRT 1387AS5-10 | WASHER               | 1   | 39    | SRT 1387AS5-39 | SAFETY BUCKLE                        | 1   |
| 11    | SRT 1387AS5-11 | ROTOR                | 1   | 40    | SRT 1387AS5-40 | PU WASHER                            | 1   |
| 12    | SRT 1387AS5-12 | ROTOR BLADE          | 5   | 41    | SRT 1387AS5-41 | AIR INLET SHAFT                      | 1   |
| 13    | SRT 1387AS5-13 | CYLINDER LOWER COVER | 1   | 42    | SRT 1387AS5-42 | VALVE SPRING                         | 1   |
| 14    | SRT 1387AS5-14 | BALL BEARING         | 1   | 43    | SRT 1387AS5-43 | O - RING                             | 2   |
| 15    | SRT 1387AS5-15 | SPRING PIN           | 1   | 44    | SRT 1387AS5-44 | AIR INLET                            | 1   |
| 16    | SRT 1387AS5-16 | O - RING             | 1   | 45    | SRT 1387AS5-45 | EXHAUST ADJUSTMENT SHAFT             | 1   |
| 17    | SRT 1387AS5-17 | LOCK NUT             | 1   | 46    | SRT 1387AS5-46 | O - RING                             | 2   |
| 18    | SRT 1387AS5-18 | KEY                  | 1   | 47    | SRT 1387AS5-47 | O - RING                             | 1   |
| 19    | SRT 1387AS5-19 | SPINDLE              | 1   | 48    | SRT 1387AS5-48 | O - RING                             | 1   |
| 20    | SRT 1387AS5-20 | BALANCER             | 3   | 49    | SRT 1387AS5-49 | DUST COLLECTION TUBE FOR SELF VACCUM | 1   |
| 21    | SRT 1387AS5-21 | BALL BEARING         | 1   | 50    | SRT 1387AS5-50 | TUBE CONNECTOR                       | 1   |
| 22    | SRT 1387AS5-22 | BEARING SEAL         | 1   | 51    | SRT 1387AS5-51 | O - RING                             | 1   |
| 23    | SRT 1387AS5-23 | WASHER               | 1   | 52    | SRT 1387AS5-52 | AIR EJECTION TUBE                    | 1   |
| 24    | SRT 1387AS5-24 | BALANCER SHAFT       | 1   | 53    | SRT 1387AS5-53 | DUST PROTECTION COVER                | 1   |
| 25    | SRT 1387AS5-25 | RETAINER RING        | 1   | 54    | SRT 1387AS5-54 | DUST PROTECTION RING                 | 1   |
| 26    | SRT 1387AS5-26 | DISK RELEASE STOPPER | 1   | 55    | SRT 1387AS5-55 | SCREW                                | 5   |
| 27    | SRT 1387AS5-27 | SPRING               | 1   | 56    | SRT 1387AS5-56 | PAD 5"                               | 1   |
| 28    | SRT 1387AS5-28 | SCREW                | 2   | 57    | SRT 1387AS5-57 | DUST BAG                             | 1   |
| 29    | SRT 1387AS5-29 | AIR ADJUSTMENT SHAFT | 1   | 58    | SRT 1387AS5-58 | DUST HOSE                            | 1   |

**RAMSIVE TOOLS PVT.LTD.**

S.F.No:412, Tex park Road, Nehru Nagar, SITRA, Coimbatore-641014.

Phone: 91-422-2905003 - Mobile: 9047023253.