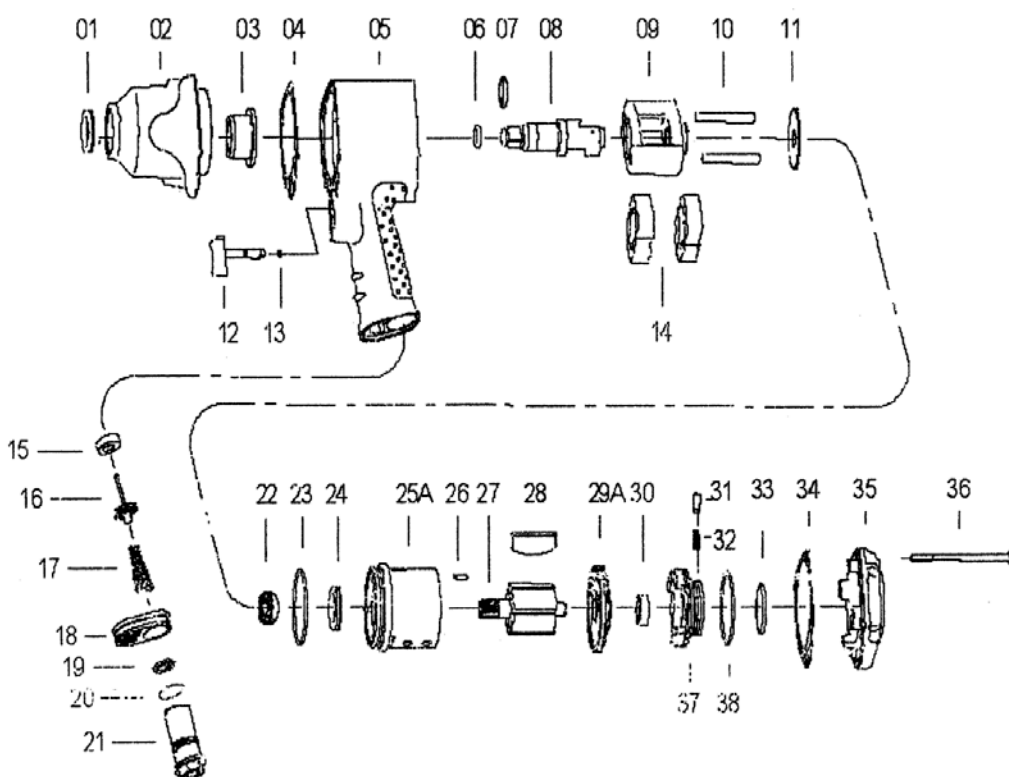




## RT 2015PT - 1/2" IMPACT WRENCH



SI.NO	PART NO	DESCRIPTION	QTY	SI.NO	PART NO	DESCRIPTION	QTY
1	SRT 2015PT-01	OIL SEAL	1	20	SRT 2015PT-20	O - RING	1
2	SRT 2015PT-02	HAMMER CASE	1	21	SRT 2015PT-21	HOSE ADAPTOR	1
3	SRT 2015PT-03	BUSHING	1	22	SRT 2015PT-22	BALL BEARING	1
4	SRT 2015PT-04	FRONT GASKET	1	23	SRT 2015PT-23	O - RING	1
5	SRT 2015PT-05	MOTOR HOUSING	1	24	SRT 2015PT-24	OIL SEAL	1
6	SRT 2015PT-06	O - RING	1	25	SRT 2015PT-25A	CYLINDER	1
7	SRT 2015PT-07	ANVIL COLLAR	1	26	SRT 2015PT-26	SPRING PIN	1
8	SRT 2015PT-08	ANVIL	1	27	SRT 2015PT-27	ROTOR	1
9	SRT 2015PT-09	HAMMER CAGE	1	28	SRT 2015PT-28	ROTOR BLADE	6
10	SRT 2015PT-10	HAMMER PIN	2	29	SRT 2015PT-29A	REAR PLATE	1
11	SRT 2015PT-11	WASHER	1	30	SRT 2015PT-30	BALL BEARING	1
12	SRT 2015PT-12	TRIGGER	1	31	SRT 2015PT-31	PIN	1
13	SRT 2015PT-13	O - RING	1	32	SRT 2015PT-32	SPRING	1
14	SRT 2015PT-14	HAMMER DOG	2	33	SRT 2015PT-33	O RING	1
15	SRT 2015PT-15	RETAINER	1	34	SRT 2015PT-34	REAR GASKET	1
16	SRT 2015PT-16	VALVE STEM	1	35	SRT 2015PT-35	REAR COVER	1
17	SRT 2015PT-17	SPRING	1	36	SRT 2015PT-36	SCREW	4
18	SRT 2015PT-18	EXHAUST DEFLECTOR	1	37	SRT 2015PT-37	REVERSE LEVER	1
19	SRT 2015PT-19	WASHER	1	38	SRT 2015PT-38	O - RING	1

**RAMSIVE TOOLS PVT.LTD.**

S.F.No:412, Tex park Road, Nehru Nagar, SITRA, Coimbatore-641014.

Phone: 91-422-2905003 - Mobile: 9047023253.