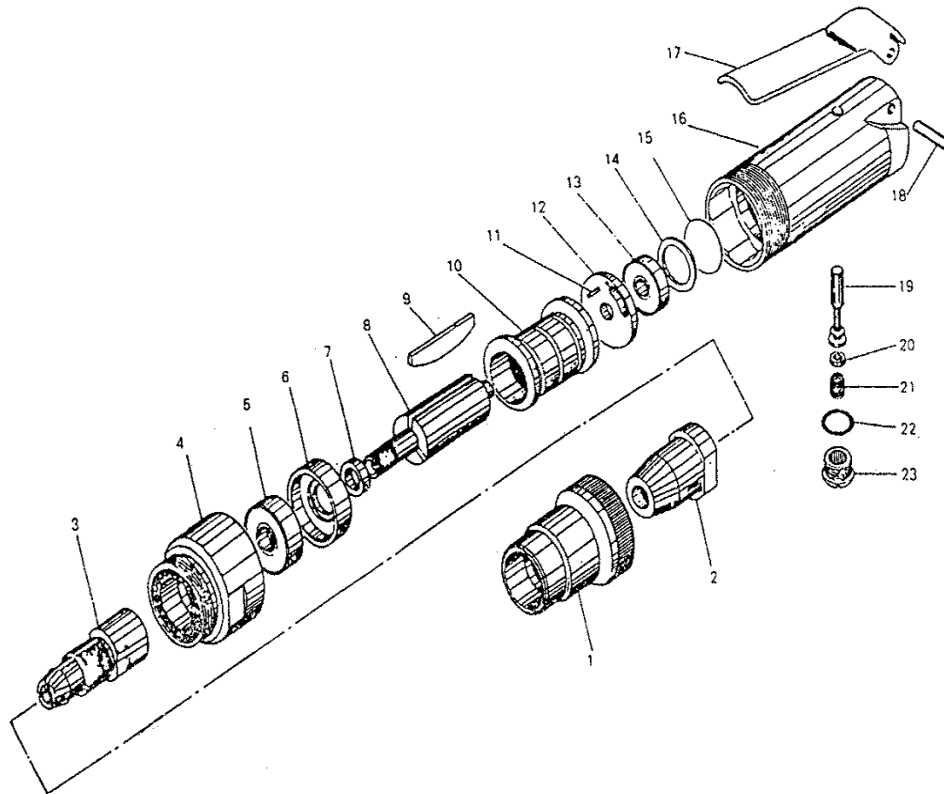




RT 2030 – DIE GRINDER



SI.NO	PART NO	DESCRIPTION	QTY	SI.NO	PART NO	DESCRIPTION	QTY
1	SRT 2030-01	CHUCH GUARD	1	13	SRT 2030-13	BALL BEARING	1
2	SRT 2030-02	COLLET NUT	1	14	SRT 2030-14	BEARING SPACER	1
3	SRT 2030-03	COLLET BODY	1	15	SRT 2030-15	BEARING GASKET	1
4	SRT 2030-04	RETAINING NUT	1	16	SRT 2030-16	MOTOR HOUSING	1
5	SRT 2030-05	BALL BEARING	1	17	SRT 2030-17	THROTTLE LEVER	1
6	SRT 2030-06	LOWER AND PLATE	1	18	SRT 2030-18	THROTTLE LEVER PIN	1
7	SRT 2030-07	BAEARING SPACER	1	19	SRT 2030-19	THROTTLE VALVE	1
8	SRT 2030-08	ROTOR	1	20	SRT 2030-20	O - RING	1
9	SRT 2030-09	ROTOR BLADE	3	21	SRT 2030-21	SPRING	1
10	SRT 2030-10	LINER	1	22	SRT 2030-22	O - RING	1
11	SRT 2030-11	INDICATOR PIN	1	23	SRT 2030-23	SPRING PLUG	1
12	SRT 2030-12	UPPER END PLATE	1				

RAMSIVE TOOLS PVT.LTD.

S.F.No:412, Tex park Road, Nehru Nagar, SITRA, Coimbatore-641014.

Phone: 91-422-2905003 - Mobile: 9047023253.