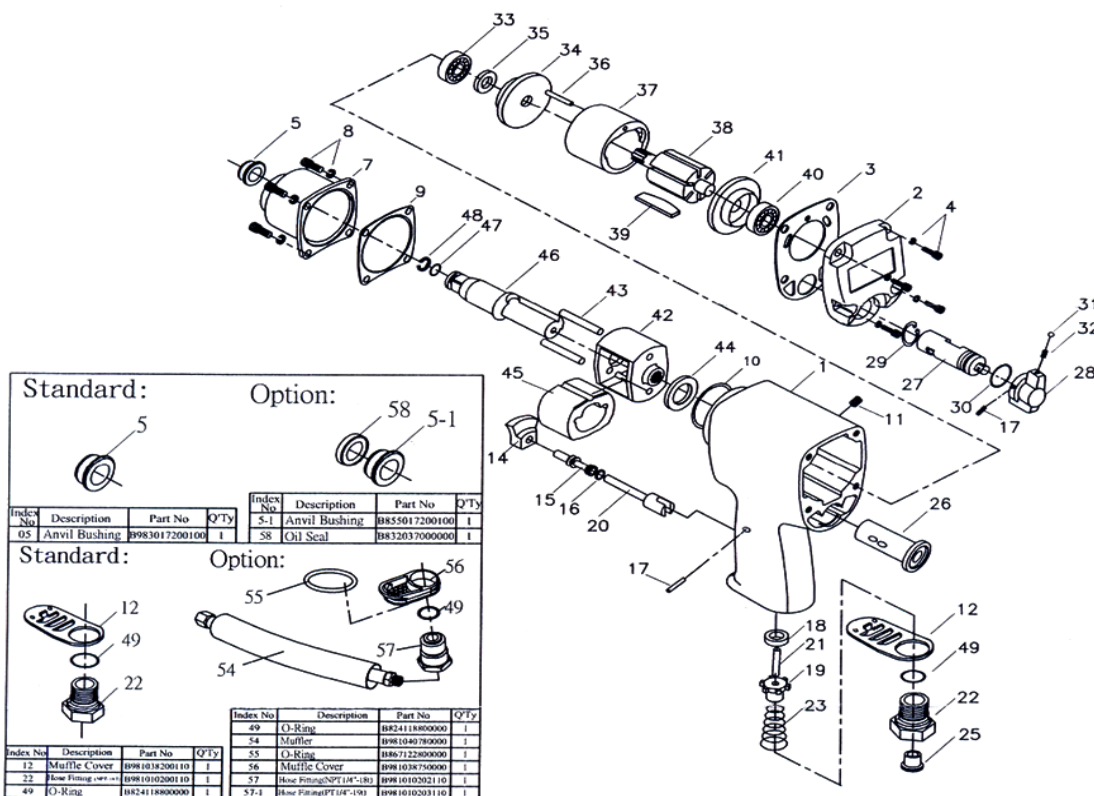




RT 2121 IMPACT WRENCH



| SI.NO | PART NO | DESCRIPTION | QTY | SI.NO | PART NO | DESCRIPTION | QTY |
|-------|-------------|------------------|-----|-------|-------------|-----------------|-----|
| 1 | SRT 2121-01 | MOTOR HOUSING | 1 | 27 | SRT 2121-27 | REVERSE VALVE | 1 |
| 2 | SRT 2121-02 | REAR COVER | 1 | 28 | SRT 2121-28 | LEVER REVERSE | 1 |
| 3 | SRT 2121-03 | REAR GASKET | 1 | 29 | SRT 2121-29 | RETAINING RING | 1 |
| 4 | SRT 2121-04 | SCREW + WASHER | 4 | 30 | SRT 2121-30 | O - RING | 1 |
| 5 | SRT 2121-05 | ANVIL BUSHING | 1 | 31 | SRT 2121-31 | STEEL BALL | 1 |
| 7 | SRT 2121-07 | CLUTCH HOUSING | 1 | 32 | SRT 2121-32 | SPRING | 1 |
| 8 | SRT 2121-08 | HEX.SOCKET BOLT | 1 | 33 | SRT 2121-33 | BALL BEARING | 1 |
| 9 | SRT 2121-09 | FRONT GASKET | 4 | 34 | SRT 2121-34 | FRONT END PLATE | 1 |
| 10 | SRT 2121-10 | O - RING | 1 | 35 | SRT 2121-35 | OIL SEAL | 1 |
| 11 | SRT 2121-11 | CLAMP SCREW | 1 | 36 | SRT 2121-36 | CYLINDER PIN | 1 |
| 12 | SRT 2121-12 | MUFFLE COVER | 1 | 37 | SRT 2121-37 | CYLINDER | 1 |
| 14 | SRT 2121-14 | TRIGGER | 1 | 38 | SRT 2121-38 | ROTOR | 1 |
| 15 | SRT 2121-15 | TRIGGER BASE | 1 | 39 | SRT 2121-39 | ROTOR BLADE | 6 |
| 16 | SRT 2121-16 | O - RING | 1 | 40 | SRT 2121-40 | BALL BEARING | 1 |
| 17 | SRT 2121-17 | SPRING PIN | 1 | 41 | SRT 2121-41 | REAR END PLATE | 1 |
| 18 | SRT 2121-18 | THROTTLE BUSHING | 2 | 42 | SRT 2121-42 | HAMMER CAGE | 1 |
| 19 | SRT 2121-19 | VALVE STEM | 1 | 43 | SRT 2121-43 | HAMMER PIN | 2 |
| 20 | SRT 2121-20 | THROTTLE PIN | 1 | 44 | SRT 2121-44 | HAMMER WASHER | 1 |
| 21 | SRT 2121-21 | VALVE PIN | 1 | 45 | SRT 2121-45 | HAMMER DOG | 1 |
| 22 | SRT 2121-22 | HOSE FITTING | 1 | 46 | SRT 2121-46 | ANVIL | 1 |
| 23 | SRT 2121-23 | SPRING | 1 | 47 | SRT 2121-47 | O - RING | 1 |
| 25 | SRT 2121-25 | DUST COVER | 1 | 48 | SRT 2121-48 | ANVIL COLLAR | 1 |
| 26 | SRT 2121-26 | VALVE SLEEVE | 1 | 49 | SRT 2121-49 | O - RING | 1 |

RAMSIVE TOOLS PVT.LTD.

S.F.No:412, Tex park Road, Nehru Nagar, SITRA, Coimbatore-641014.

Phone: 91-422-2905003 - Mobile: 9047023253.