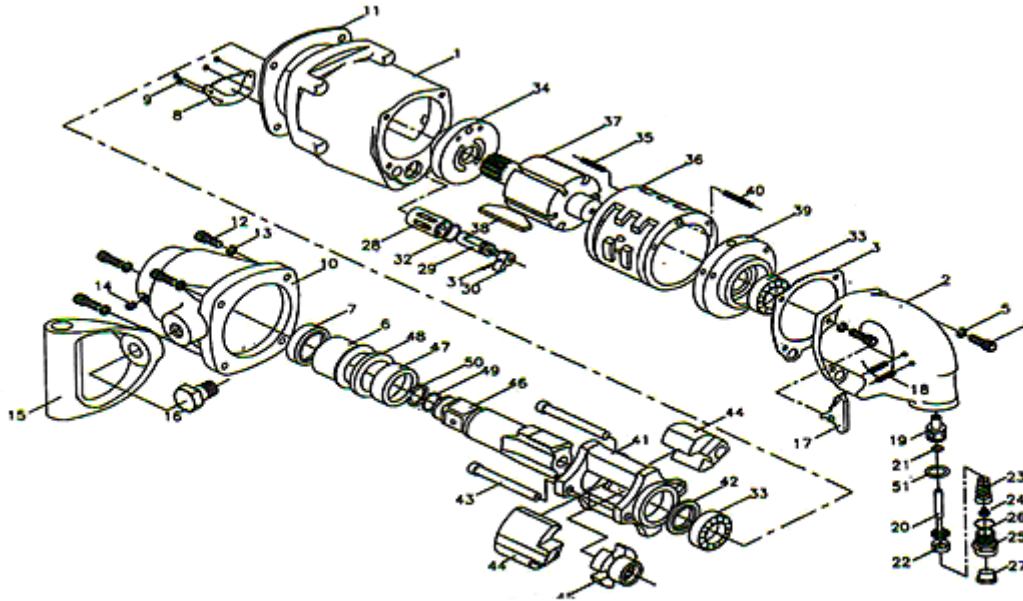




RT 217 – 1” IMPACT WRENCH



SI.NO	PART NO	DESCRIPTION	QTY	SI.NO	PART NO	DESCRIPTION	QTY
1	SRT 217-01	MOTOR HOUSING	1	27	SRT 217-27	DUST COVER	1
2	SRT 217-02	END CAP	1	28	SRT 217-28	VALVE SLEEVE	1
3	SRT 217-03	END CAP GASKET	1	29	SRT 217-29	REVERSE VALVE	1
4	SRT 217-04	HEX. Socket Bolt	4	30	SRT 217-30	LEVER REVERSE	1
5	SRT 217-05	SPRING WASHER	4	31	SRT 217-31	SPRING PIN	1
6	SRT 217-06	ANVIL BUSHING	1	32	SRT 217-32	O-RING	1
7	SRT 217-07	OIL SEAL	1	33	SRT 217-33	BALL BEARING	2
8	SRT 217-08	MUFFLE STEEL COVER	1	34	SRT 217-34	FRONT END PLATE	1
9	SRT 217-09	PILLIPS PAN SCREW	4	35	SRT 217-35	SPRING PIN	1
10	SRT 217-10	CLUTCH HOUSING	1	36	SRT 217-36	CYLINDER	1
11	SRT 217-11	FRONT GASKET	1	37	SRT 217-37	ROTOR	1
12	SRT 217-12	HEX. Socket Bolt	4	38	SRT 217-38	ROTOR FAN	6
13	SRT 217-13	SPRING WASHER	4	39	SRT 217-39	REAR END PLATE	1
14	SRT 217-14	HEX. Socket Bolt	1	40	SRT 217-40	SPRING PIN	1
15	SRT 217-15	HANDLE DEAD	1	41	SRT 217-41	HAMMER CAGE	1
16	SRT 217-16	HEX. HEAD BOLT	1	42	SRT 217-42	HAMMER CAGE WASHER	1
17	SRT 217-17	TRIGGER	1	43	SRT 217-43	HAMMER PIN	1
18	SRT 217-18	TRIGGER PIN	2	44	SRT 217-44	HAMMER DOG	1
19	SRT 217-19	THROTTLE BUSHING	1	45	SRT 217-45	DRIVE CAM	1
20	SRT 217-20	THROTTLE PIN	1	46	SRT 217-46	ANIL 8"	1
21	SRT 217-21	O-RING	1	47	SRT 217-47	BUSHING FLANGE	1
22	SRT 217-22	RETAINER	1	48	SRT 217-48	ANVIL WASHER	1
23	SRT 217-23	COMPRESSION SPRING	1	49	SRT 217-49	O-RING	1
24	SRT 217-24	SCREEN	1	50	SRT 217-50	ANVIL COLLAR	1
25	SRT 217-25	HOSE FITTING	1	51	SRT 217-51	O-RING	1
26	SRT 217-26	O-RING	1				
	OPTION :						
	SRT 217-25-1	HOSE FITTING	1		SRT 217-46-1	ANVIL 6"	1
					SRT 217-46-2	ANVIL 2"	1

RAMSIVE TOOLS PVT.LTD.

S.F.No:412, Tex park Road, Nehru Nagar, SITRA, Coimbatore-641014.

Phone: 91-422-2905003 - Mobile: 9047023253.