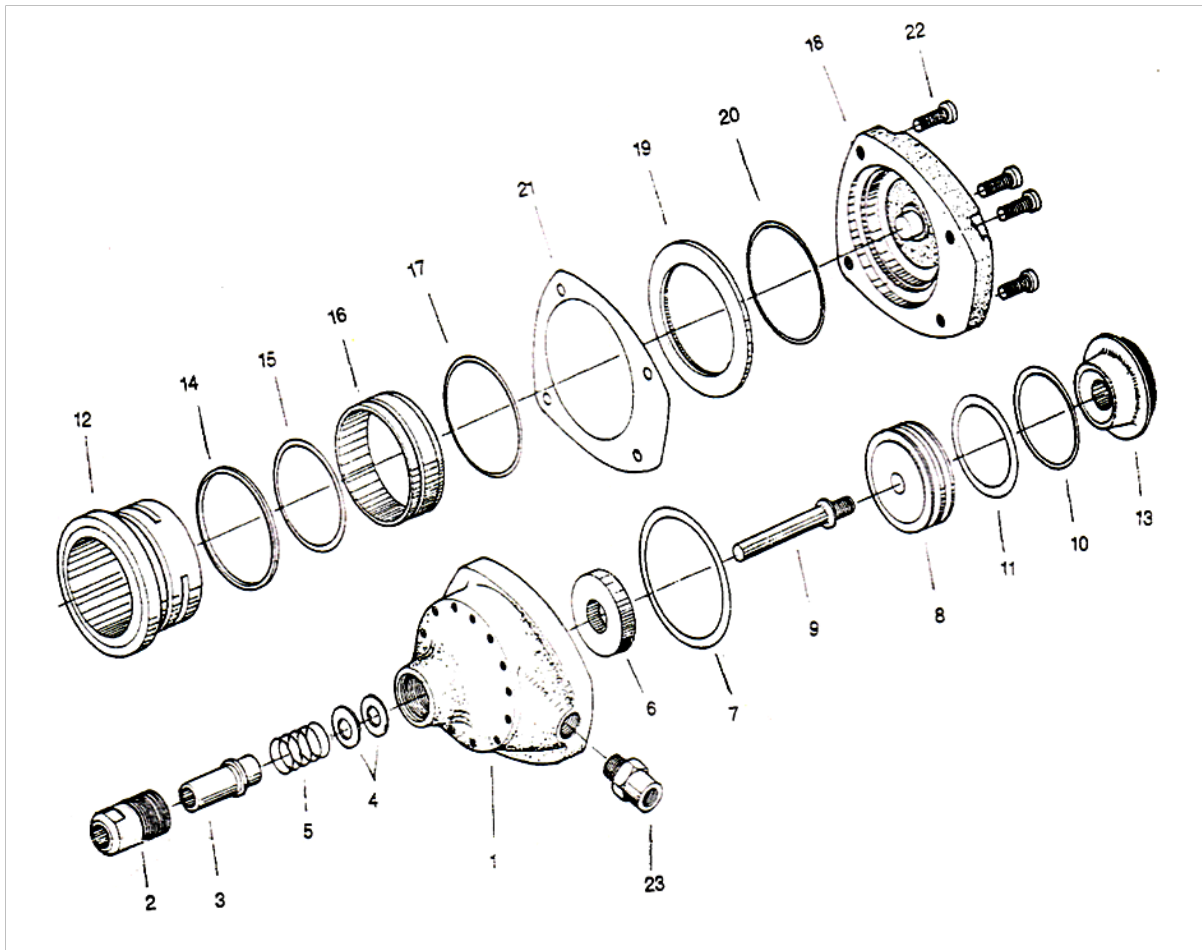




## RT 300 – PALM NAILER



SI.NO	PART NO	DESCRIPTION	QTY	SI.NO	PART NO	DESCRIPTION	QTY
1	SRT 300-01	BODY	1	13	SRT 300-13	CYLINDER COVER	1
2	SRT 300-02	GUIDE BOX	1	14	SRT 300-14	RUBBER RING	1
3	SRT 300-03	GUIDE BUSHING	1	15	SRT 300-15	O - RING	1
4	SRT 300-04	SPRING WASHER	3	16	SRT 300-16	VALVE	1
5	SRT 300-05	SPRING	1	17	SRT 300-17	O - RING	1
6	SRT 300-06	DAMPING RUBBER	1	18	SRT 300-18	COVER	1
7	SRT 300-07	O - RING	1	19	SRT 300-19	VALVE PACKING	1
8	SRT 300-08	PISTON	1	20	SRT 300-20	O - RING	1
9	SRT 300-09	PISTON ROD	1	21	SRT 300-21	GASKET	1
10	SRT 300-10	O - RING	1	22	SRT 300-22	SCREW	4
11	SRT 300-11	O - RING	1	23	SRT 300-23	AIR INLET	1
12	SRT 300-12	CYLINDER	1				

**RAMSIVE TOOLS PVT.LTD.**

S.F.No:412, Tex park Road, Nehru Nagar, SITRA, Coimbatore-641014.

Phone: 91-422-2905003 - Mobile: 9047023253.