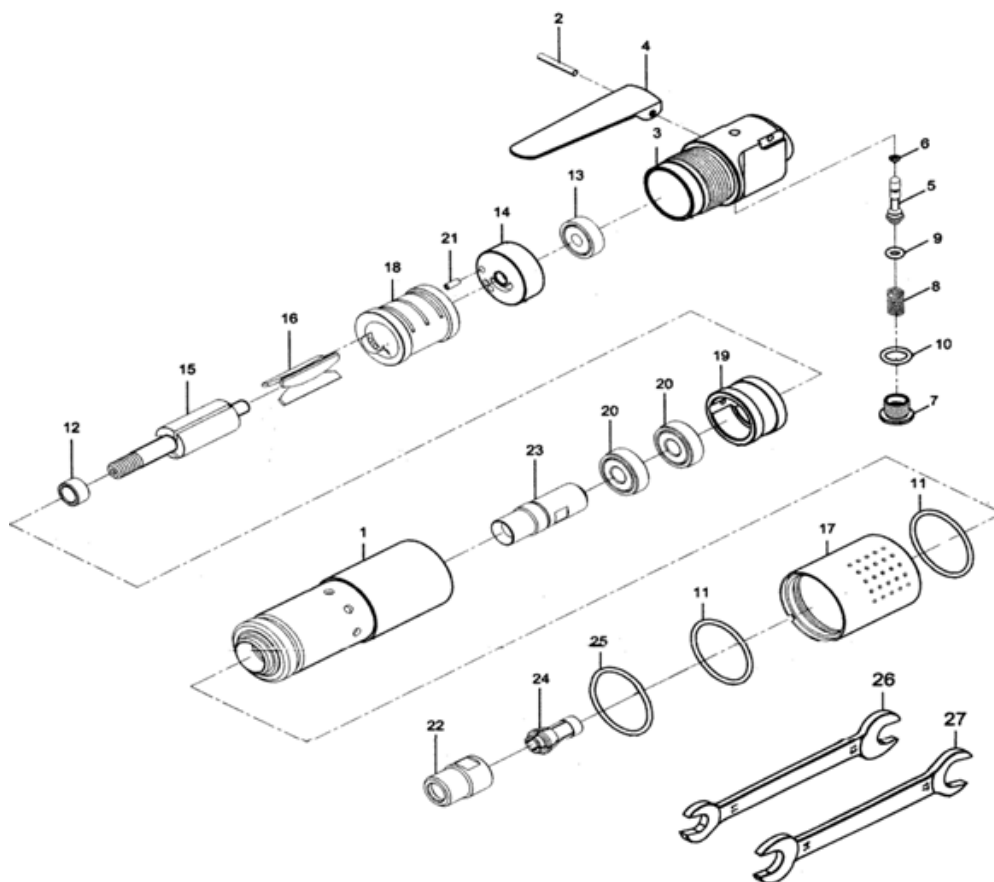




RT 35 – DIE GRINDER



SI.NO	PART NO	DESCRIPTION	QTY	SI.NO	PART NO	DESCRIPTION	QTY
1	SRT 35-01	MOTOR HOUSING	1	15	SRT 35-15	ROTOR	1
2	SRT 35-02	LEVER PIN	1	16	SRT 35-16	VANE	3
3	SRT 35-03	REAR BODY	1	17	SRT 35-17	EXHAUST DIFFUSER	1
4	SRT 35-04	THROTTLE LEVER	1	18	SRT 35-18	CYLINDER	1
5	SRT 35-05	VALVE SHAFT	1	19	SRT 35-19	FRONT END PLATE	1
6	SRT 35-06	O - RING	1	20	SRT 35-20	BALL BEARING	2
7	SRT 35-07	VALVE PLUG	1	21	SRT 35-21	SPRING PIN	1
8	SRT 35-08	SPRING	1	22	SRT 35-22	COLLET NUT	1
9	SRT 35-09	O - RING	1	23	SRT 35-23	SPINDLE	1
10	SRT 35-10	O - RING	1	24	SRT 35-24	COLLET	1
11	SRT 35-11	O - RING	2	25	SRT 35-25	O - RING	1
12	SRT 35-12	ROTOR SPACER	1	26	SRT 35-26	DOUBLE ENDED SPANNER	1
13	SRT 35-13	BALL BEARING	1	27	SRT 35-27	DOUBLE ENDED SPANNER	1
14	SRT 35-14	REAR END PLATE	1				

RAMSIVE TOOLS PVT.LTD.

S.F.No:412, Tex park Road, Nehru Nagar, SITRA, Coimbatore-641014.

Phone: 91-422-2905003 - Mobile: 9047023253.