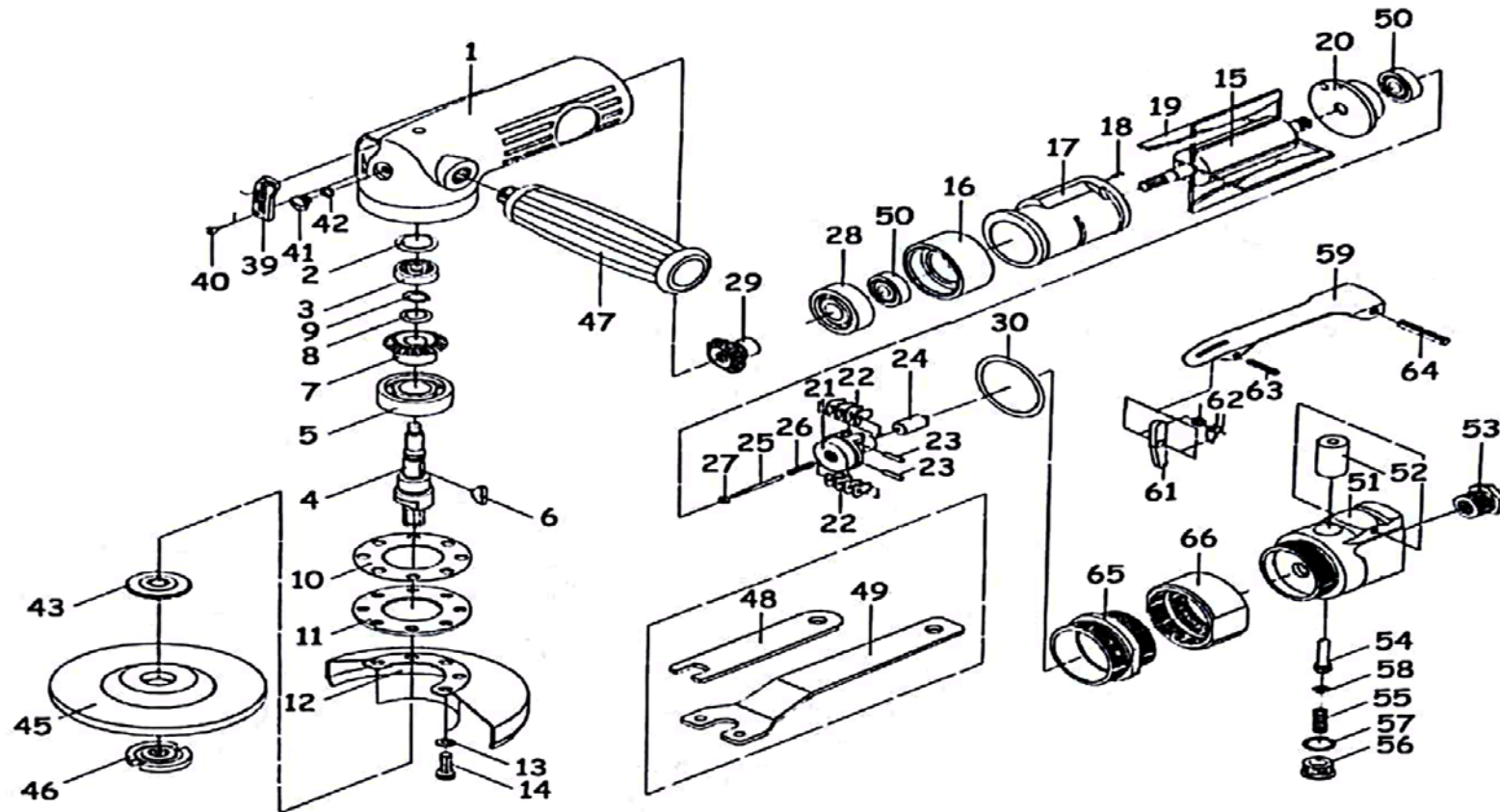




## RT 4006 – AIR ANGLE GRINDER



**RAMSIVE TOOLS PVT.LTD.**

S.F.No:412, Tex park Road, Nehru Nagar, SITRA, Coimbatore-641014.

Phone: 91-422-2905003 - Mobile: 9047023253.



## RT 4006 – AIR ANGLE GRINDER

SI.NO	PART NO	DESCRIPTION	QTY	SI.NO	PART NO	DESCRIPTION	QTY	SI.NO	PART NO	DESCRIPTION	QTY
1	SRT 4006-01	MOTOR HOUSING	1	20	SRT 4006-20	REAR END PLATE	1	48	SRT 4006-48	WRENCH (A)	1
2	SRT 4006-02	SEAL PLATE	1	21	SRT 4006-21	GOVERNOR	1	49	SRT 4006-49	WRENCH (B)	1
3	SRT 4006-03	BALL BEARING	1	22	SRT 4006-22	PENDULAM	8	50	SRT 4006-50	BALL BEARING	2
4	SRT 4006-04	ARBOR	1	23	SRT 4006-23	SPRING PIN	2	51	SRT 4006-51	THROTTLE VALVE HOUSING	1
5	SRT 4006-05	BALL BEARING	1	24	SRT 4006-24	PLUNGER	1	52	SRT 4006-52	BUSHING	1
6	SRT 4006-06	WOODRUFF KEY	1	25	SRT 4006-25	ADJUST SCREW	1	53	SRT 4006-53	AIR INLET BUSHING	1
7	SRT 4006-07	BEVEL GEAR	1	26	SRT 4006-26	SPRING	1	54	SRT 4006-54	VALVE STEM	1
8	SRT 4006-08	WAVE WASHER	1	27	SRT 4006-27	ADJUST NUT	1	55	SRT 4006-55	VALVE SPRING	1
9	SRT 4006-09	EXTRANEL STOP RING	1	28	SRT 4006-28	BALL BEARING	1	56	SRT 4006-56	THROTTLE HOUSING	1
10	SRT 4006-10	GASKET	1	29	SRT 4006-29	BEEL PINION	1	57	SRT 4006-57	O - RING	1
11	SRT 4006-11	RETAINER	1	30	SRT 4006-30	O - RING	1	58	SRT 4006-58	O - RING	1
12	SRT 4006-12	CENTRAL WHEEL GUARD	1	39	SRT 4006-39	EXHAUST DIFFLECTOR	1	59	SRT 4006-59	THROTTLE LEER	1
13	SRT 4006-13	SPRING WASHER	5	40	SRT 4006-40	TAPPING SCREW	2	61	SRT 4006-61	THROTTLE LEVER LOCK	1
14	SRT 4006-14	HEX SOCKET HEAD CAP BOLT	5	41	SRT 4006-41	PLUG	1	62	SRT 4006-62	TORSION SPRING	1
15	SRT 4006-15	ROTOR	1	42	SRT 4006-42	O - RING	1	63	SRT 4006-63	SPRING PIN	1
16	SRT 4006-16	FRONT END PLATE	1	43	SRT 4006-43	FLANGE	1	64	SRT 4006-64	SPRING PIN	1
17	SRT 4006-17	CYLINDER	1	45	SRT 4006-45	GRINDING WHEEL	1	65	SRT 4006-65	LOCK RING	1
18	SRT 4006-18	SPRING PIN	1	46	SRT 4006-46	FLANGE NUT	1	66	SRT 4006-66	COUPLING NUT	1
19	SRT 4006-19	ROTOR BLADE	4	47	SRT 4006-47	HANDLE	1				

**RAMSIVE TOOLS PVT.LTD.**

S.F.No:412, Tex park Road, Nehru Nagar, SITRA, Coimbatore-641014.

Phone: 91-422-2905003 - Mobile: 9047023253.