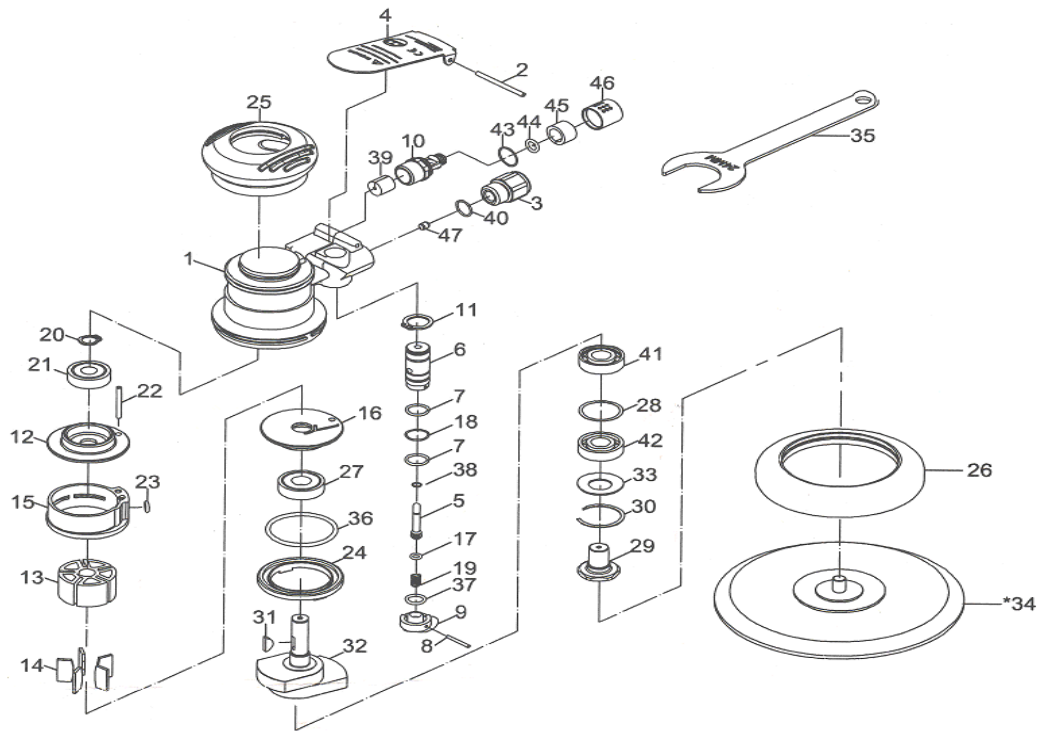




## RT 66-6133 – 6” DUAL ACTION SANDER (Without dust Collection)



SI.NO	PART NO	DESCRIPTION	QTY	SI.NO	PART NO	DESCRIPTION	QTY
1	SRT 66-6133-01	HOUSING	1	25	SRT 66-6133-25	GRIP HAT	1
2	SRT 66-6133-02	SPRING PIN	1	26	SRT 66-6133-26	SHROUD	1
3	SRT 66-6133-03	AIR INLET	1	27	SRT 66-6133-27	BALL BEARING	1
4	SRT 66-6133-04	THROTTLE LEVER	1	28	SRT 66-6133-28	WASHER	1
5	SRT 66-6133-05	SHAFT	1	29	SRT 66-6133-29	SHAFT	1
6	SRT 66-6133-06	BUSHING	1	30	SRT 66-6133-30	SNAP RING	1
7	SRT 66-6133-07	O - RING	2	31	SRT 66-6133-31	KEY	1
8	SRT 66-6133-08	SPRING PIN	1	32	SRT 66-6133-32	BALANCER SHAFT	1
9	SRT 66-6133-09	REGULATOR	1	33	SRT 66-6133-33	WASHER	1
10	SRT 66-6133-10	EXHAUST SHAFT	1	34	SRT 66-6133-34	PAD	1
11	SRT 66-6133-11	RETAINING RING	1	35	SRT 66-6133-35	SPANNER	1
12	SRT 66-6133-12	REAR END PLATE	1	36	SRT 66-6133-36	O - RING	1
13	SRT 66-6133-13	ROTOR	1	37	SRT 66-6133-37	O - RING	1
14	SRT 66-6133-14	ROTOR BLADE	5	38	SRT 66-6133-38	O - RING	1
15	SRT 66-6133-15	CYLINDER	1	39	SRT 66-6133-39	MUFFLER	1
16	SRT 66-6133-16	FRONT END PLATE	1	40	SRT 66-6133-40	O - RING	1
17	SRT 66-6133-17	O - RING	1	41	SRT 66-6133-41	BALL BEARING	1
18	SRT 66-6133-18	O - RING	1	42	SRT 66-6133-42	BALL BEARING	1
19	SRT 66-6133-19	SPRING	1	43	SRT 66-6133-43	O - RING	1
20	SRT 66-6133-20	RETAINING RING	1	44	SRT 66-6133-44	O - RING	1
21	SRT 66-6133-21	BALL BEARING	1	45	SRT 66-6133-45	MUFFLER	1
22	SRT 66-6133-22	SPRING PIN	1	46	SRT 66-6133-46	EXHAUST SLEEVE	1
23	SRT 66-6133-23	O - RING	1	47	SRT 66-6133-47	STOPPER	1
24	SRT 66-6133-24	LOCK RING	1				

**RAMSIVE TOOLS PVT.LTD.**

S.F.No:412, Tex park Road, Nehru Nagar, SITRA, Coimbatore-641014.

Phone: 91-422-2905003 - Mobile: 9047023253.