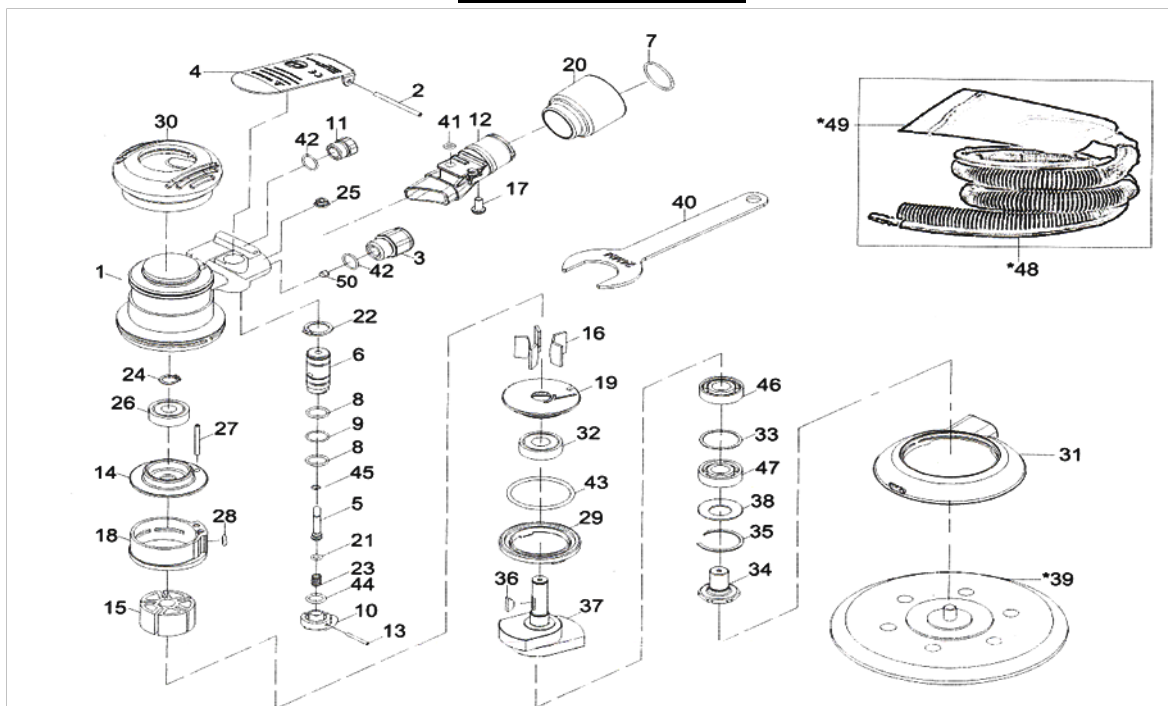




# RT 66-6133A – 6” DUAL ACTION SANDER

(With Dust Collection)



SI.NO	PART NO	DESCRIPTION	QTY	SI.NO	PART NO	DESCRIPTION	QTY
1	SRT 66-6133A-01	HOUSING	1	26	SRT 66-6133A-26	BALL BEARING	1
2	SRT 66-6133A-02	SPRING PIN	1	27	SRT 66-6133A-27	SPRING PIN	1
3	SRT 66-6133A-03	AIR INLET	1	28	SRT 66-6133A-28	O - RING	1
4	SRT 66-6133A-04	THROTTLE LEVER	1	29	SRT 66-6133A-29	LOCK RING	1
5	SRT 66-6133A-05	SHAFT	1	30	SRT 66-6133A-30	GRIP HAT	1
6	SRT 66-6133A-06	BUSHING	1	31	SRT 66-6133A-31	SHROUD	1
7	SRT 66-6133A-07	O - RING	1	32	SRT 66-6133A-32	BALL BEARING	1
8	SRT 66-6133A-08	O - RING	2	33	SRT 66-6133A-33	WASHER	1
9	SRT 66-6133A-09	O - RING	1	34	SRT 66-6133A-34	SHAFT	1
10	SRT 66-6133A-10	REGULATOR	1	35	SRT 66-6133A-35	SNAP RING	1
11	SRT 66-6133A-11	PLUG	1	36	SRT 66-6133A-36	KEY	1
12	SRT 66-6133A-12	ADAPTER	1	37	SRT 66-6133A-37	BALANCER SHAFT	1
13	SRT 66-6133A-13	SPRING PIN	1	38	SRT 66-6133A-38	WASHER	1
14	SRT 66-6133A-14	REAR END PLATE	1	39	SRT 66-6133A-39	PAD	1
15	SRT 66-6133A-15	ROTOR	1	40	SRT 66-6133A-40	SPANNER	1
16	SRT 66-6133A-16	ROTOR BLADE	5	41	SRT 66-6133A-41	O - RING	1
17	SRT 66-6133A-17	SCREW	1	42	SRT 66-6133A-42	O - RING	2
18	SRT 66-6133A-18	CYLINDER	1	43	SRT 66-6133A-43	O - RING	1
19	SRT 66-6133A-19	FRONT END EXHAUST	1	44	SRT 66-6133A-44	O - RING	1
20	SRT 66-6133A-20	SWIVEL EXHAUST	1	45	SRT 66-6133A-45	O - RING	1
21	SRT 66-6133A-21	O - RING	1	46	SRT 66-6133A-46	BALL BEARING	1
22	SRT 66-6133A-22	RETAINING RING	1	47	SRT 66-6133A-47	BALL BEARING	1
23	SRT 66-6133A-23	SPRING	1	48	SRT 66-6133A-48	SELF VACCUM	1
24	SRT 66-6133A-24	RETAINER RING	1	49	SRT 66-6133A-49	SELF VACCUM BAG	1
25	SRT 66-6133A-25	NUT	1	50	SRT 66-6133A-50	STOPPER	1

**RAMSIVE TOOLS PVT.LTD.**

S.F.No:412, Tex park Road, Nehru Nagar, SITRA, Coimbatore-641014.

Phone: 91-422-2905003 - Mobile: 9047023253.