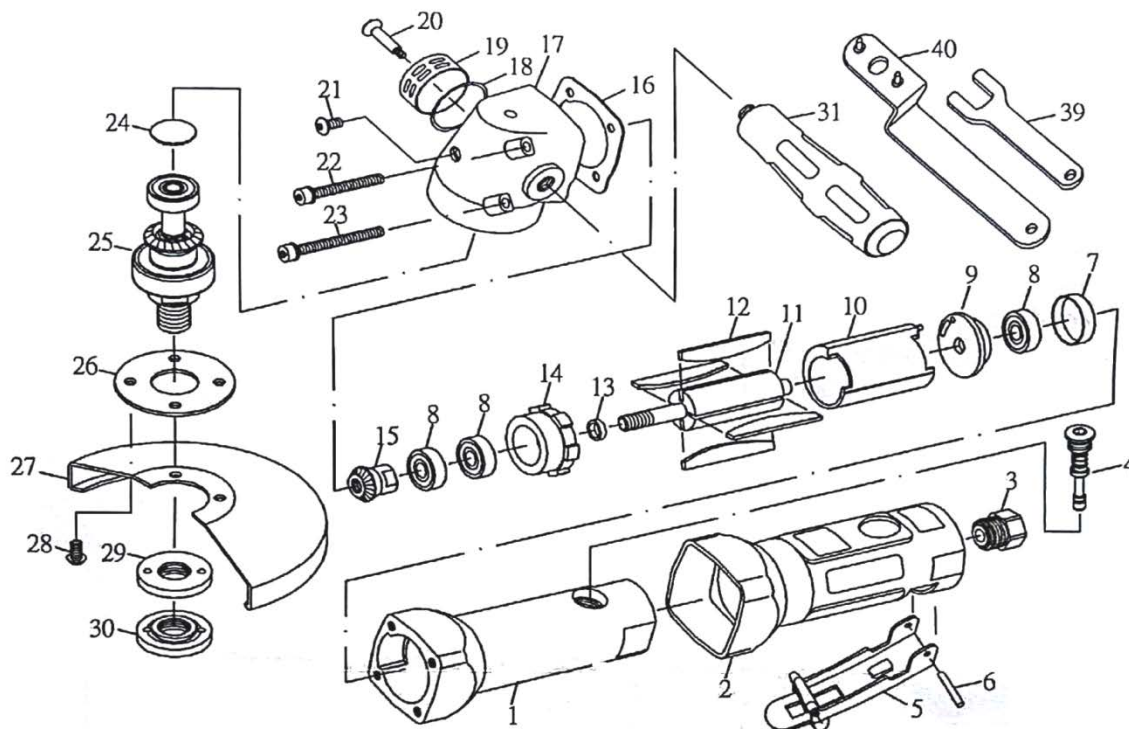




RT 8105 – 5" ANGLE GRINDER



SI.NO	PART NO	DESCRIPTION	QTY	SI.NO	PART NO	DESCRIPTION	QTY
1	SRT 8105 - 01	HOUSING	1	18	SRT 8105 - 18	O - RING	1
2	SRT 8105 - 02	RUBBER	1	19	SRT 8105 - 19	EXHAUST SLEEVE	1
3	SRT 8105 - 03	AIR INLET	1	20	SRT 8105 - 20	SCREW	1
4	SRT 8105 - 04	VALVE STEM SET	1	21	SRT 8105 - 21	SCREW (M5*6)	1
5	SRT 8105 - 05	LEVER	1	22	SRT 8105 - 22	SCREW (M5*451)	2
6	SRT 8105 - 06	PIN	1	23	SRT 8105 - 23	SCREW (M5*551)	2
7	SRT 8105 - 07	SHROUD	1	24	SRT 8105 - 24	SPACER	1
8	SRT 8105 - 08	BEARING	3	25	SRT 8105 - 25	SHAFT SET (5/8")	1
9	SRT 8105 - 09	REAR PLATE	1	26	SRT 8105 - 26	FACE PLATE	1
10	SRT 8105 - 10	CYLINDER SET	1	27	SRT 8105 - 27	DISC COVER (5")	1
11	SRT 8105 - 11	ROTOR	1	28	SRT 8105 - 28	SCREW	4
12	SRT 8105 - 12	ROTOR BLADE	4	29	SRT 8105 - 29	DISC NUT (5/8")	1
13	SRT 8105 - 13	BEARING SPACER	1	30	SRT 8105 - 30	DISC NUT (5/8")	1
14	SRT 8105 - 14	FRONT PLATE	1	31	SRT 8105 - 31	HANDLE	1
15	SRT 8105 - 15	BEVEL GEAR	1	32	SRT 8105 - 32	STOP SPANNER(14m/M)	1
16	SRT 8105 - 16	PACKING	1	33	SRT 8105 - 33	DISC SPANNER	1
17	SRT 8105 - 17	ANGLE HOUSING	1				

RAMSIVE TOOLS PVT.LTD.

S.F.No:412, Tex park Road, Nehru Nagar, SITRA, Coimbatore-641014.

Phone: 91-422-2905003 - Mobile: 9047023253.